



DATASOUND - LABORATORIES -

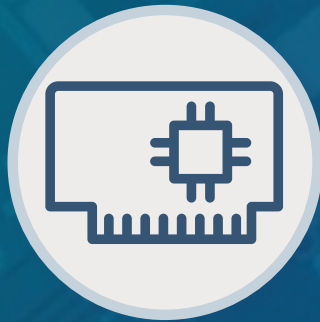
.....
EMBEDDING THE FUTURE



**Electronic
Design**



**Panel
PC / HMI**



**Single Board
Computer**



**Industrial
PC**

Why choose DSL?

- Over 25 Years Industry Experience
- 5 Years Warranty on all Products
- Evaluation Products Available
- Lifetime Technical Support

Our Services

- Electronic Design
- Production Management
- Assembly and Test
- Bespoke BIOS Creation
- Industrial Embedded PC Solutions



Call us on +44(0)1462 675530



Email us at sales@dsl-ltd.co.uk



www.dsl-ltd.co.uk



Features

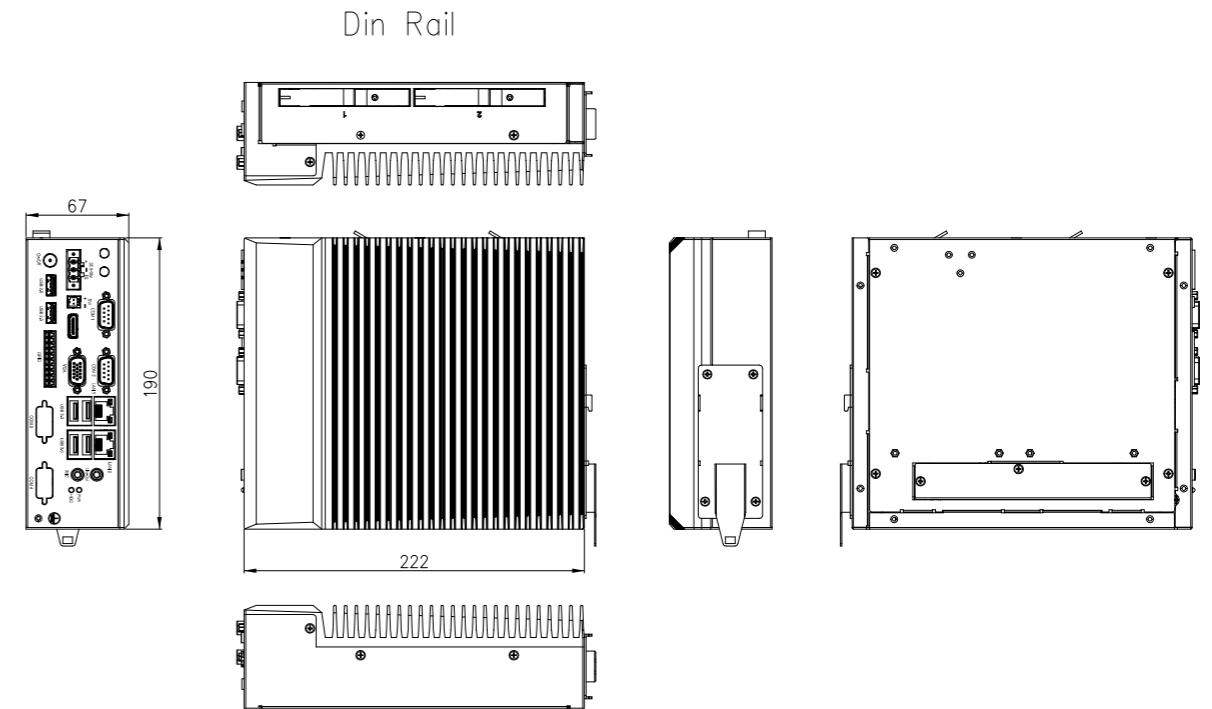
- Machine Vision Application System
- 7th Gen. Intel Core i3/i5/i7 Processor
- 2 x 260-pin DDR4 SO-DIMM memory
- Fanless Design
- Wide range DC 9~36V power input

Specifications

System	
CPU	7th Gen. Intel Core i7/i5/i3 Processor
System Chipset	Q170
Memory	2 x 260-pin DDR4 SO-DIMM memory, up to 32GB
IO Port	
USB	4 x USB 3.0, type A 2 x USB 2.0, type A
Serial/Parallel	1 x RS-232/422/485, DB9 (default RS-232) 1 x RS-232 DB9 1 x RS-422/485, DB9 (default RS-485, optional) 1 x RS-232 DB9 (optional)
Audio	1 x Line-out 1 x Mic-in
Graph	1 x VGA 1 x HDMI
LAN	2 x GbE LAN, RJ-45 by intel I210(I211) AT controller
Digital I/O	1 x 8-bit GPIO, terminal block
Power	1 x 3-pin DC power input terminal block 1 x 2-pin power switch 1 x power button
Storage Space	
HDD	2 x 2.5" SATA3 HDD/SSD, Easy-swappable HDD tray
Expansion	
On Board Expansion Bus	2 x full-size Mini-PCIe slot
Power	
Power Input	DC 9~36V
Power Consumption	Max: 150W
Mechanical	
Construction	Plating Titanium Gray Aluminum Heatsink and Black Steel Chassis
Mounting	Wall Mount (default) & Din Rail (optional)
Dimensions	232 x 190 x 67 mm
Net Weight	3.3 kg
Environmental	
Operating Temperature	-20°C~60°C (for i3/i5 model) / -20°C~50°C (for i7 model)
Storage Temperature	-40°C~85°C
Storage Humidity	10 to 90%@ 40°C, non-condensing
Certificate	Meet CE/FCC Class A
Operating System Support	
	Win10 IoT, Linux Kernel 4.15 (Ubuntu 16.04.4)

Dimensions

Din Rail



Wall Mount

