



DATASOUND - LABORATORIES -

.....
EMBEDDING THE FUTURE



**Electronic
Design**



**Panel
PC / HMI**



**Single Board
Computer**



**Industrial
PC**

Why choose DSL?

- Over 25 Years Industry Experience
- 5 Years Warranty on all Products
- Evaluation Products Available
- Lifetime Technical Support

Our Services

- Electronic Design
- Production Management
- Assembly and Test
- Bespoke BIOS Creation
- Industrial Embedded PC Solutions



Call us on +44(0)1462 675530



Email us at sales@dsl-ltd.co.uk



www.dsl-ltd.co.uk



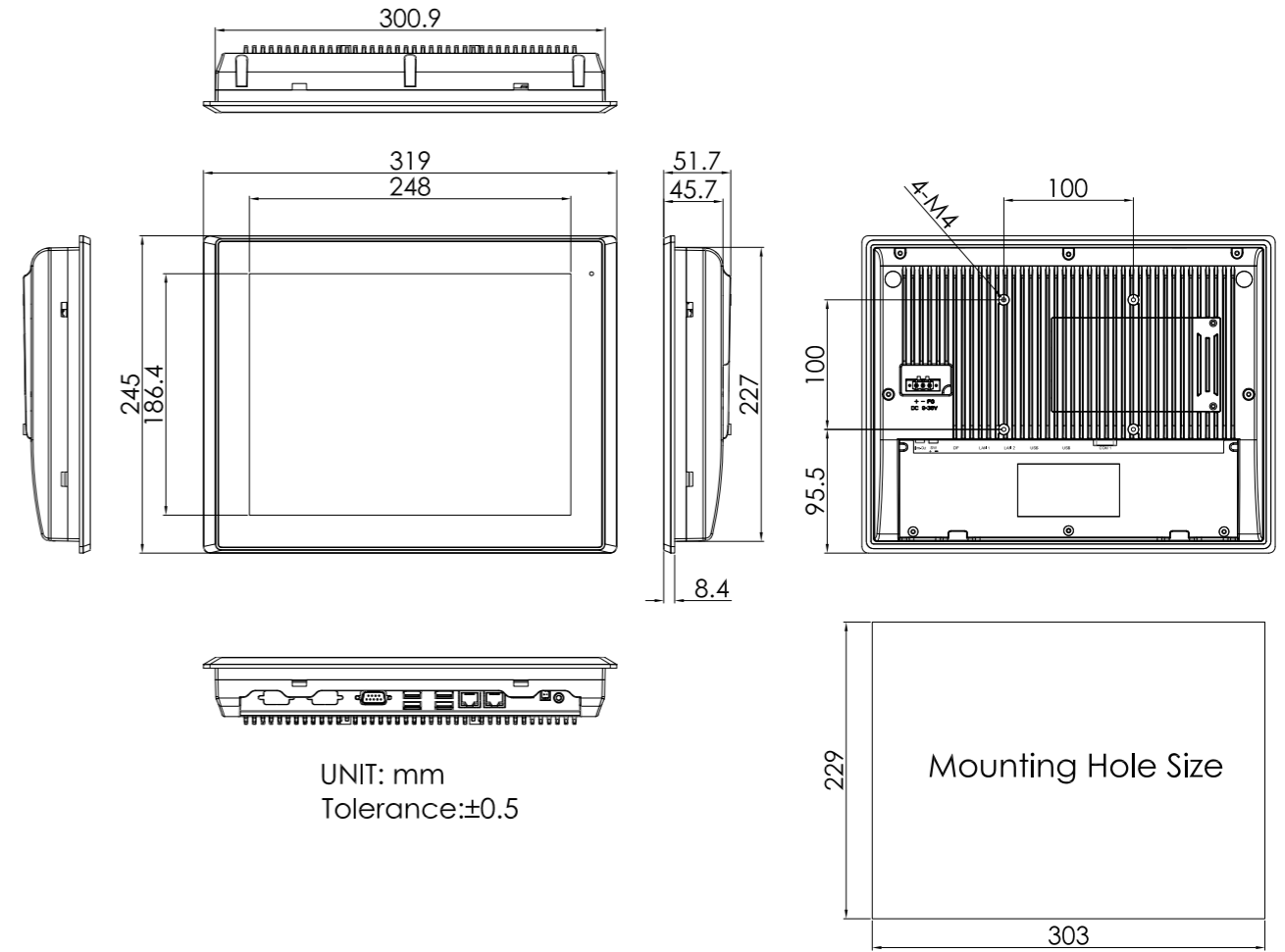
Features

- 12.1" Industrial Compact Size Panel PC
- 8th Gen. Intel Core i3/i5, CPU built-in
- 1 x 260Pin SO-DIMM DDR4 slot, up to 32GB 2400MHz
- Flat Front Panel Touch Screen with IP66 front bezel
- Fanless Design
- DC 9~36V Wide-Ranging Power Input
- Support expansion via Full-size Mini PCIe and M.2 slots
- Support TPM2.0 hardware security
- High Brightness 1,000 nits for option

Specifications

System		
CPU	8th Gen. Intel Core i3/i5 Processors Core i5-8365UE (4C/8T, 1.6GHz, 15W TDP) Core i3-8145UE (2C/4T, 2.2GHz, 15W TDP)	
System Chipset	SoC	
Memory	1 x DDR4 SO-DIMM Slot, Up to 32 GB DDR4 2400MHz	
I/O Port		
USB	4 x USB 3.0 type A	
Serial	1 x DB-9 connector, including: * 1 x RS-232(RTS, Rx, Tx, CTS), pin1 RTS/5V/12V selectable via jumper (COM1), default * 1 x RS-232(Tx, Rx)/422/485(COM2), optional	
Audio	1 x Audio Line Out	
DP	1 x DP Port	
LAN	2 x GbE LAN RJ-45	
Power	1 x 3-pin DC Power input terminal 1 x 2-pin connectors for power on/off button	
Option	COM port Y cable (for 1 x RS-232(Tx, Rx)/422/485(COM2)) VESA Stand 4G LTE WiFi 4/5/6+ BT 4 x USB 2.0 type A (TB-528U4) 4 x USB 2.0 type A + 1 x Mini-PCIe + 1 x SIM slot (TB-528U4ME1) 2 x COM (RS-232) (TB-528C2) 1 x COM (RS-232) + 2 x USB 2.0 (TB-528C1U2) 1 x COM (RS-232) + 2 x USB 2.0 + 1 x Mini-PCIe + 1 x Power Button (TB-528C1U2P1) 2 x COM (RS-232) + 1 x Mini-PCIe slot + 1 x SIM slot (TB-528C2ME1) 2 x COM (RS-422/485, isolated) (TB-528C2I) 2 x CAN (TB-528CAN2) 1 x LAN + 2 x USB 2.0 type A (TB-528E1U2) 1 x LAN + 2 x USB 2.0 type A /45W PoE (TB528E1U2UPOE)* Backup Battery 21W/10.8Wh/1.95Ah(3S1P) (TB-528 Series or backup battery only be inserted in either one)	
Storage Space		
Storage	1 x M.2 M Key slot; (Support PCIe/SATA 2242/2280, Default 2242)	
Expansion		
Expansion Slot	1 x Internal Mini-PCIe slot full size 1 x Nano SIM card holder	
Display		
	Standard	High Brightness Optional
Display Type	12.1" TFT-LCD	12.1" TFT-LCD
Max. Resolution	800 x 600 1024 x 768	800 x 600 1024 x 768
Max. Color	262K/16.2M	16.2M / 262K
Luminance (cd/m ²)	450/500	1000
View Angle	178(H)/178(V) (SVGA) 178(H)/178(V) (XGA)	178(H)/178(V) (SVGA) 160(H)/140(V) (XGA)
Contrast	1500:1/1000:1	700:1
Backlight Lifetime	50,000 hrs (SVGA) 30,000 hrs (XGA)	50,000 hrs (SVGA) 50,000 hrs (XGA)

Dimensions



Touch Screen	
Type	Resistive Touch (for BR Model) Projected Capacitive Touch (for BP Model)
Interface	USB
Light Transmission(%)	Resistive Touch: 80% Projected Capacitive Touch: 90%
Power	
Power Input	DC 9~36V
Power Consumption	TBD
Mechanical	
Color	RAL 9007
Construction	Aluminum die-casting chassis
Mounting	Panel Mount, VESA 100 x 100
Dimensions (WxHxD)	319 x 245 x 51.7 mm
IP Rating	Front Panel IP66
Net Weight	TBD
Environmental	
Operating Temperature	0~50°C / -20~60°C (option)
Storage Temperature	-30~70°C
Humidity	10 to 95%@ 40°C, non-condensing
Certificate	CE / FCC, Class A
Operating System Support	
Win10 IoT	

*PoE limitation: CPU turbo off, rear I/O no loading, 70% LED backlight, PSE cable length < 50m