



# DATA SOUND - LABORATORIES -

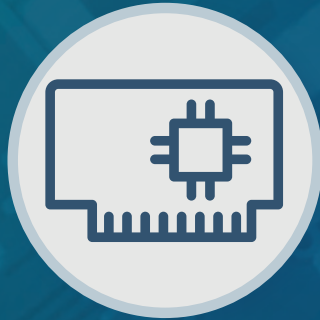
.....  
EMBEDDING THE FUTURE



**Electronic  
Design**



**Panel  
PC / HMI**



**Single Board  
Computer**



**Industrial  
PC**

## Why choose DSL?

- Over 25 Years Industry Experience
- 5 Years Warranty on all Products
- Evaluation Products Available
- Lifetime Technical Support

## Our Services

- Electronic Design
- Production Management
- Assembly and Test
- Bespoke BIOS Creation
- Industrial Embedded PC Solutions



Call us on +44(0)1462 675530



Email us at [sales@dsl-ltd.co.uk](mailto:sales@dsl-ltd.co.uk)



[www.dsl-ltd.co.uk](http://www.dsl-ltd.co.uk)



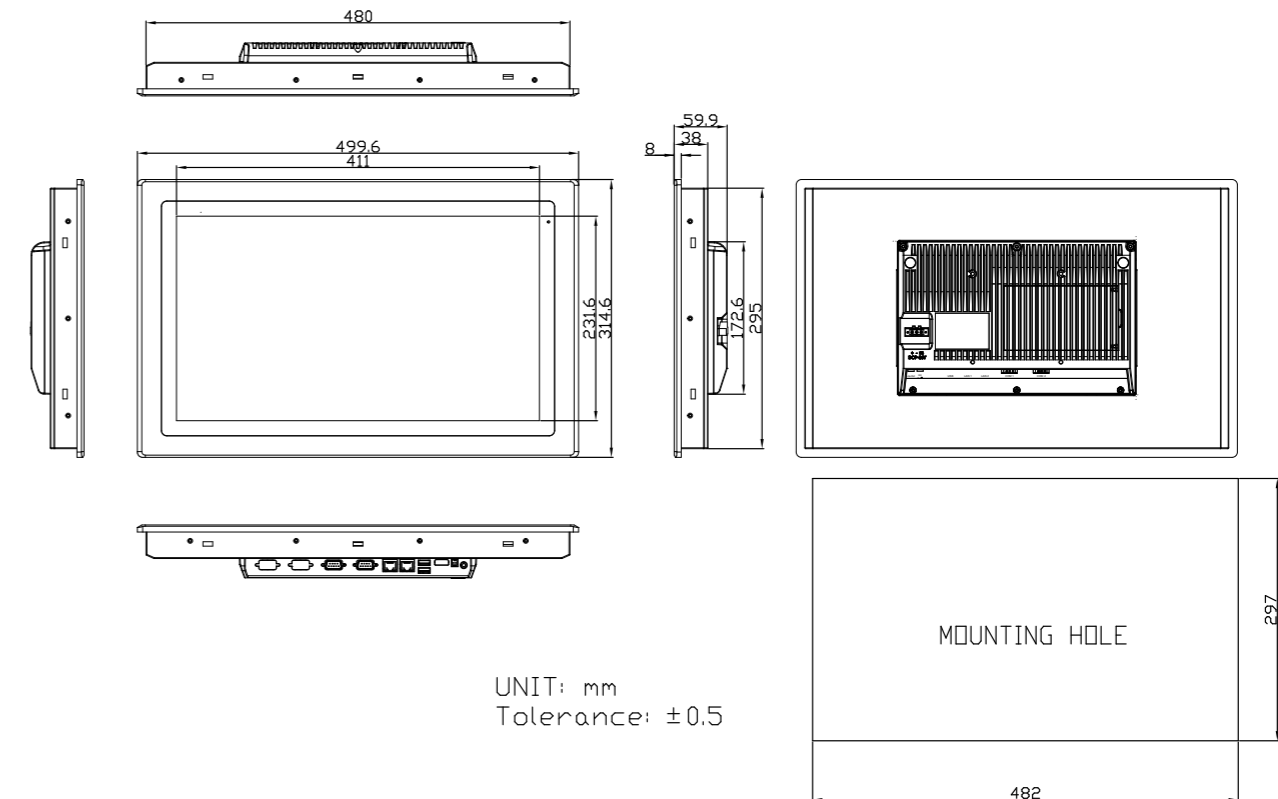
## Features

- 18.5" Industrial Compact Size Panel PC
- Intel Celeron N2930(1.83GHz) CPU built-in / Atom E3845(1.91GHz) for option
- Onboard 4GB DDR3L 1333MHz/8GB(option)
- Flat Front Panel Touch Screen and Fanless Design
- DC 9~36V Wide-Ranging Power Input
- IP66 Compliant Front Panel
- Optional Projected Capacitive Touch Screen Support 7H Anti-Scratch Surface
- High Brightness 1,000 nits for Option

## Specifications

System	
CPU	Onboard Intel Celeron N2930(1.83GHz) Onboard Intel Atom E3845(1.91GHz) for option
System Chipset	SoC
Memory	Onboard 4GB DDR3L 1333MHz/8GB(option)
I/O Port	
USB	2 x USB 3.0 type A
Serial / Parallel	1 x DB-9 RS-232/422/485, COM1 (Default RS-232) 1 x RS-232 DB-9, COM2
Audio	1 x Audio Line Out
LAN	2 x GbE LAN RJ-45
Power	1 x 3-pin DC power input terminal 1 x 2-pin connector for power on/off button
Option	2 x RS-232 DB-9 + 1 x Mini-PCIe slot via TB-528C2ME1 2 x CAN bus via TB-528CAN2 2 x USB 2.0 type A Via TB-528U2 2 x USB 2.0 type A + 1 x Mini-PCIe slot + 1 x RS-232 DB-9 + 1 x Power button via TB-528C1U2P1 UPS Battery 21W/10.8W/1.95Ah(3S1P) <b>UPS Battery and TB-528 expansion board can't be used in the same time</b>
Storage Space	
HDD	1 x 2.5" SATA3 HDD bay for SATA HDD (Easy Accessible)
Movable Device	1 x SD card slot, up to 32GB
Expansion	
Expansion Slot	1 x Internal Mini-PCIe slot full size
Display	
Display Type	Standard: 18.5" TFT-LCD High Brightness Optional: 18.5" TFT-LCD
Max. Resolution	Standard: 1366 x 768 High Brightness Optional: 1366 x 768
Max. Color	Standard: 16.7M High Brightness Optional: 16.7M
Luminance (cd/m <sup>2</sup> )	Standard: 350 High Brightness Optional: 1000
View Angle	Standard: 170(H) / 160(V) High Brightness Optional: 170(H) / 160(V)
Contrast	Standard: 1000:1 High Brightness Optional: 1000:1
Backlight Lifetime	Standard: 50,000 hrs High Brightness Optional: 50,000 hrs
Touch Screen	
Type	Resistive Touch Window Projected Capacitive Touch (For P Model)
Interface	USB
Light Transmission(%)	Resistive Touch Window: over 80% Projected Capacitive Touch: over 90%
Power	
Power Input	DC 9~36V
Power Consumption	ARCHMI-818P: 39W

## Dimensions



Mechanical	
Color	RAL 9007
Construction	Aluminum Die-casting Chassis
Mounting	Panel Mount, VESA 100 x 100
Dimensions (WxHxD)	499.6mm x 314.6mm x 59.9mm
IP Rating	IP66 Compliant Front Bezel
Net Weight	6 kg

Environmental	
Operating Temperature	0~50°C
Storage Temperature	-30~70°C
Storage Humidity	10 to 90%@ 40°C, non-condensing
Certificate	CE/FCC Class A/CB/UL

Operating System Support	
Windows 7, WEC 7, Windows 8.1, Windows 10	

Ordering Information	
ARCHMI-818-01	18.5" WXGA Fanless HMI barebone with Intel Celeron N2930 1.83GHz CPU, 4GB DDR3L RAM, Resistive touch screen, DC 9~36V input with adapter, Aluminum chassis
ARCHMI-818P-01	18.5" WXGA Fanless HMI barebone with Intel Celeron N2930 1.83GHz CPU, 4GB DDR3L RAM, Projected capacitive touch screen, DC 9~36V input with adapter, Aluminum chassis
ARCHMI-818H-01	18.5" WXGA Fanless HMI barebone with Intel Celeron N2930 1.83GHz CPU, 4GB DDR3L RAM, Resistive touch screen, DC 9~36V input with adapter, Aluminum chassis, High brightness 1,000nits LCD
ARCHMI-818PH-01	18.5" WXGA Fanless HMI barebone with Intel Celeron N2930 1.83GHz CPU, 4GB DDR3L RAM, Projected capacitive touch screen, DC 9~36V input with adapter, Aluminum chassis, High brightness 1,000nits LCD