



DATASOUND - LABORATORIES -

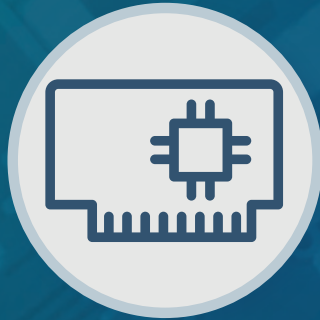
.....
EMBEDDING THE FUTURE



**Electronic
Design**



**Panel
PC / HMI**



**Single Board
Computer**



**Industrial
PC**

Why choose DSL?

- Over 25 Years Industry Experience
- 5 Years Warranty on all Products
- Evaluation Products Available
- Lifetime Technical Support

Our Services

- Electronic Design
- Production Management
- Assembly and Test
- Bespoke BIOS Creation
- Industrial Embedded PC Solutions



Call us on +44(0)1462 675530



Email us at sales@dsl-ltd.co.uk



www.dsl-ltd.co.uk



Features

- 8" Industrial Compact Size Panel PC
- Intel Celeron N2930(1.83GHz) CPU built-in / Atom E3845(1.91GHz) for option
- Onboard 4GB DDR3L 1333MHz/8GB(option)
- Flat Front Panel Touch Screen and Fanless Design
- DC 9~36V Wide-Ranging Power Input
- IP66 Compliant Front Panel
- Optional Projected Capacitive Touch Screen Support 7H Anti-Scratch Surface
- High Brightness 1,000 nits for Option

Specifications

| System | |
|----------------|--|
| CPU | Onboard Intel Celeron N2930(1.83GHz) Onboard Intel Atom E3845(1.91GHz) for option |
| System Chipset | SoC |
| Memory | Onboard 4GB DDR3L 1333MHz/8GB(option) |

| I/O Port | |
|-------------------|--|
| USB | 2 x USB 3.0 type A |
| Serial / Parallel | 1 x DB-9 RS-232/422/485, COM1 (Default RS-232) 1 x RS-232 DB-9, COM2 |
| Audio | 1 x Audio Line Out |
| LAN | 2 x GbE LAN RJ-45 |
| Power | 1 x 3-pin DC power input terminal 1 x 2-pin connector for power on/off button |

| Storage Space | |
|----------------|---|
| HDD | 1 x MO-297 SATA SSD bay (Easy Accessible) |
| Movable Device | 1 x SD card slot, up to 32GB |

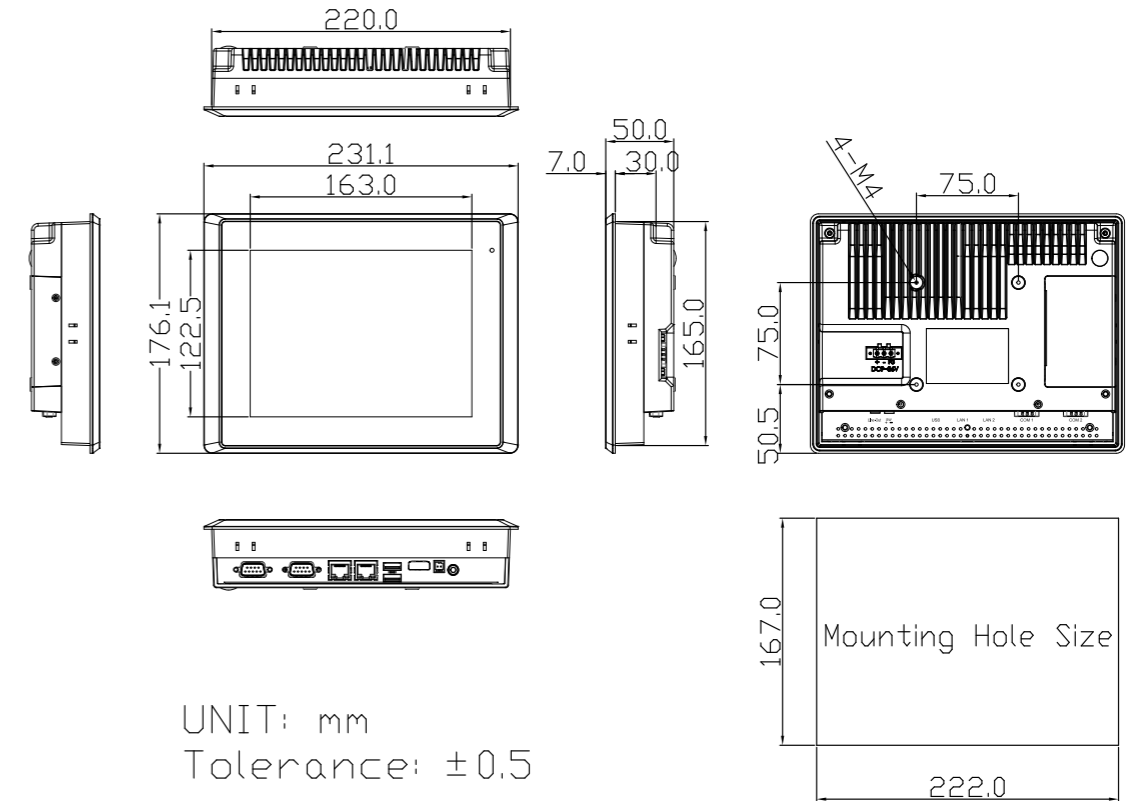
| Expansion | |
|----------------|---------------------------------------|
| Expansion Slot | 1 x Internal Mini-PCIe slot full size |

| Display | Standard | High Brightness Optional |
|--------------------------------|-----------------|--------------------------|
| Display Type | 8" TFT-LCD | 8" TFT-LCD |
| Max. Resolution | 800 x 600 | 800 x 600 |
| Max. Color | 16.2M | 16.2M |
| Luminance (cd/m ²) | 350 | 1000 |
| View Angle | 140(H) / 125(V) | 140(H) / 125(V) |
| Contrast | 500:1 | 500:1 |
| Backlight Lifetime | 40,000 hrs | 40,000 hrs |

| Touch Screen | |
|-----------------------|--|
| Type | Resistive Touch Window Projected Capacitive Touch (For P Model) |
| Interface | USB |
| Light Transmission(%) | Resistive Touch Window: over 80% Projected Capacitive Touch: over 90% |

| Power | |
|-------------------|------------------|
| Power Input | DC 9~36V |
| Power Consumption | ARCHMI-808P: 23W |

Dimensions



| Mechanical | |
|--------------------|------------------------------|
| Color | RAL 9007 |
| Construction | Aluminum Die-casting Chassis |
| Mounting | Panel Mount, VESA 75 x 75 |
| Dimensions (WxHxD) | 231mm x 176mm x 50mm |
| IP Rating | IP66 Compliant Front Bezel |
| Net Weight | 1.9 kg |

| Environmental | |
|-----------------------|---------------------------------|
| Operating Temperature | 0~50°C |
| Storage Temperature | -30~70°C |
| Storage Humidity | 10 to 90%@ 40°C, non-condensing |
| Certificate | CE/FCC Class A/CB/UL |

| Operating System Support | |
|---|--|
| Windows 7, WEC 7, Windows 8.1, Windows 10 | |

| Ordering Information | |
|----------------------|---|
| ARCHMI-808-01 | 8" SVGA Fanless HMI barebone with Intel Celeron N2930 1.83GHz CPU, 4GB DDR3L RAM, Resistive touch screen, DC 9~36V input with adapter, Aluminum chassis |
| ARCHMI-808P-01 | 8" SVGA Fanless HMI barebone with Intel Celeron N2930 1.83GHz CPU, 4GB DDR3L RAM, Projected capacitive touch screen, DC 9~36V input with adapter, Aluminum chassis |
| ARCHMI-808H-01 | 8" SVGA Fanless HMI barebone with Intel Celeron N2930 1.83GHz CPU, 4GB DDR3L RAM, Resistive touch screen, DC 9~36V input with adapter, Aluminum chassis, High brightness 1,000nits LCD |
| ARCHMI-808PH-01 | 8" SVGA Fanless HMI barebone with Intel Celeron N2930 1.83GHz CPU, 4GB DDR3L RAM, Projected capacitive touch screen, DC 9~36V input with adapter, Aluminum chassis, High brightness 1,000nits LCD |