



DATASOUND - LABORATORIES -

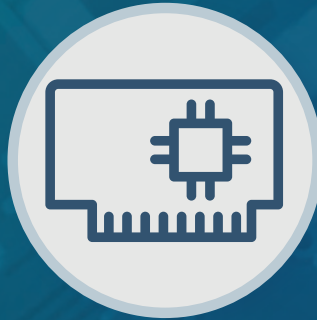
.....
EMBEDDING THE FUTURE



**Electronic
Design**



**Panel
PC / HMI**



**Single Board
Computer**



**Industrial
PC**

Why choose DSL?

- Over 25 Years Industry Experience
- 5 Years Warranty on all Products
- Evaluation Products Available
- Lifetime Technical Support

Our Services

- Electronic Design
- Production Management
- Assembly and Test
- Bespoke BIOS Creation
- Industrial Embedded PC Solutions



Call us on +44(0)1462 675530



Email us at sales@dsl-ltd.co.uk



www.dsl-ltd.co.uk

Features

- Solid aluminum die-casting chassis
- Variety of LCD panel size selections
- IP66 compliant front panel / IP69K for option
- VGA, DVI, HDMI and DP input
- Wide range DC 9~36V power input
- Auto dimming for option

Specifications

I/O Port	
VGA	1 x VGA
DVI	1 x DVI-D
DP	1 x DP
HDMI	1 x HDMI
OSD Control Membrane	OSD at rear side
Power	1 x 3-pin terminal block for DC 9~36V power input
LED Light	1 x system power LED light
Speaker	1 x 2W speaker for option
Others	1 x USB type B for touch control Optional I/O: 1 x Line in by phone jack 1 x RS-232 DB-9 for touch control

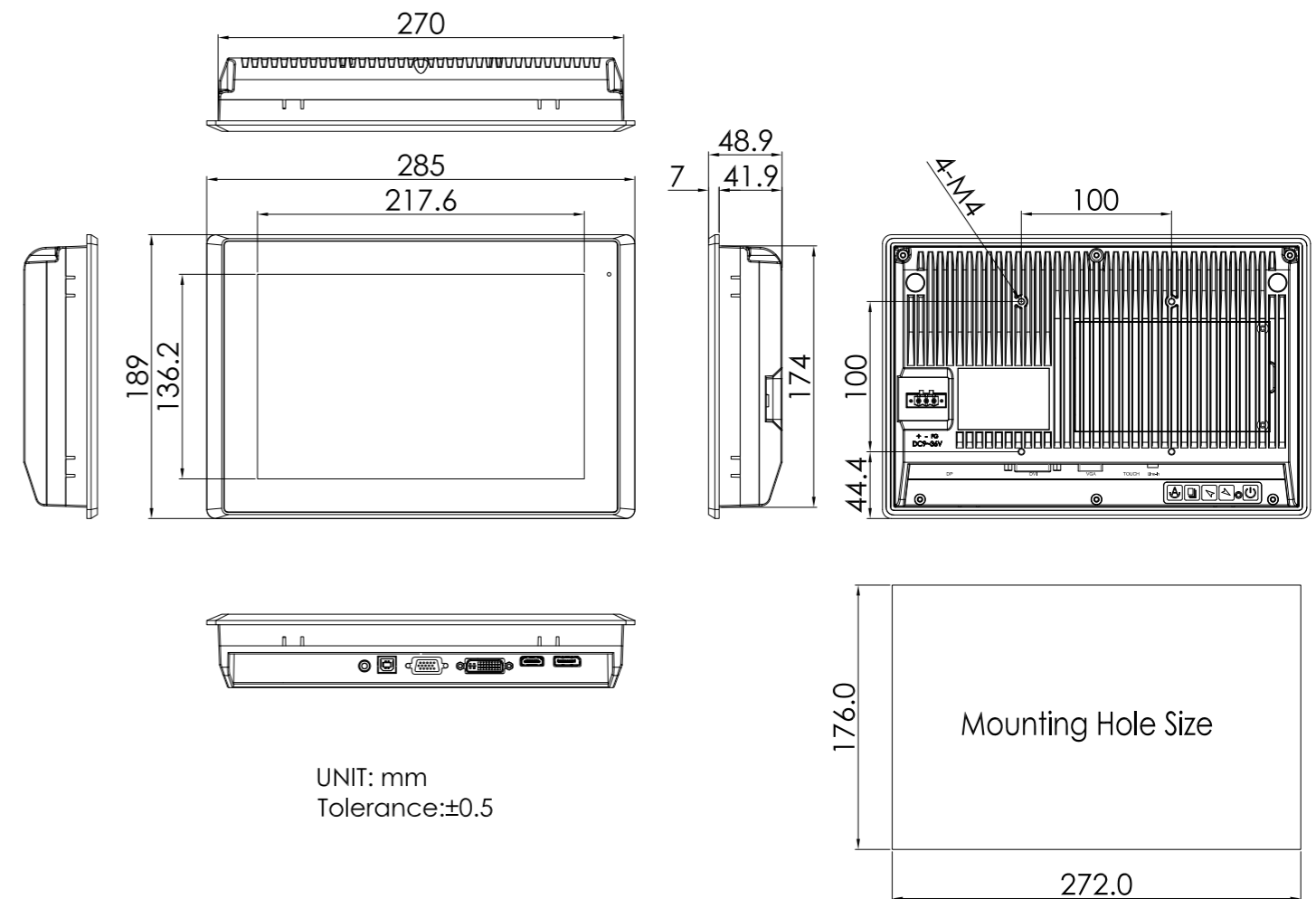
Display	Standard	High Brightness Optional
Display Type	10.1" TFT LCD	10.1" TFT LCD
Max. Resolution	1280 x 800	1280 x 800
Max. Color	16.7M	16.7M
Luminance (cd/m ²)	350	1000
View Angle	170(H) / 170(V)	170(H) / 170(V)
Contrast	500:1	1000:1
Backlight Lifetime	40,000 hrs	30,000 hrs

Touch Screen	
Type	Resistive Touch (For ARCDIS-110AR model) Projected Capacitive Touch (For ARCDIS-110AP model) Glass-AR (For ARCDIS-110AG model)
Interface	USB default (Resistive / Projected Capacitive Touch) RS-232 Option (Resistive Touch)
Light Transmission(%)	Resistive Touch : over 80% Projected Capacitive Touch : over 90%

Power	
Power Input	DC 9~36V
Power Consumption	ARCDIS-110AP: 5.2W

Mechanical	
Construction	Aluminum die-casting chassis
Mounting	Panel mount / VESA mount 100 x 100
IP Rating	IP66 compliant front panel / IP69K(option)
Dimensions (WxHxD)	285 x 189 x 48.9 mm
Net Weight	1.9 kg

Dimensions



Environmental	
Operating Temperature	0~50°C / -20~60°C for option
Storage Temperature	-30~70°C
Storage Humidity	10 to 90% @ 40°C, Non-condensing, without touch screen
Certificate	CE/FCC, Class A