

Industrial Computing Products and Services

Panel PC's



Industrial PC's



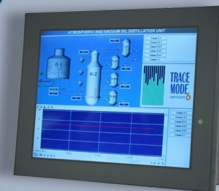
Electronic Design



SBC's



Industrial Displays



Why Choose DSL?

- ✓ Lifetime technical support
- ✓ Fully customisable products
- ✓ Product branding (bezel colours + logos)
- ✓ Free pre-installation of OS and software

Our Services

- ✓ Electronic Design
- ✓ Production Management
- ✓ Assembly and test
- ✓ Bespoke BIOS creation



sales@dsl-ltd.co.uk

or call us on +44 (0)1462 675530



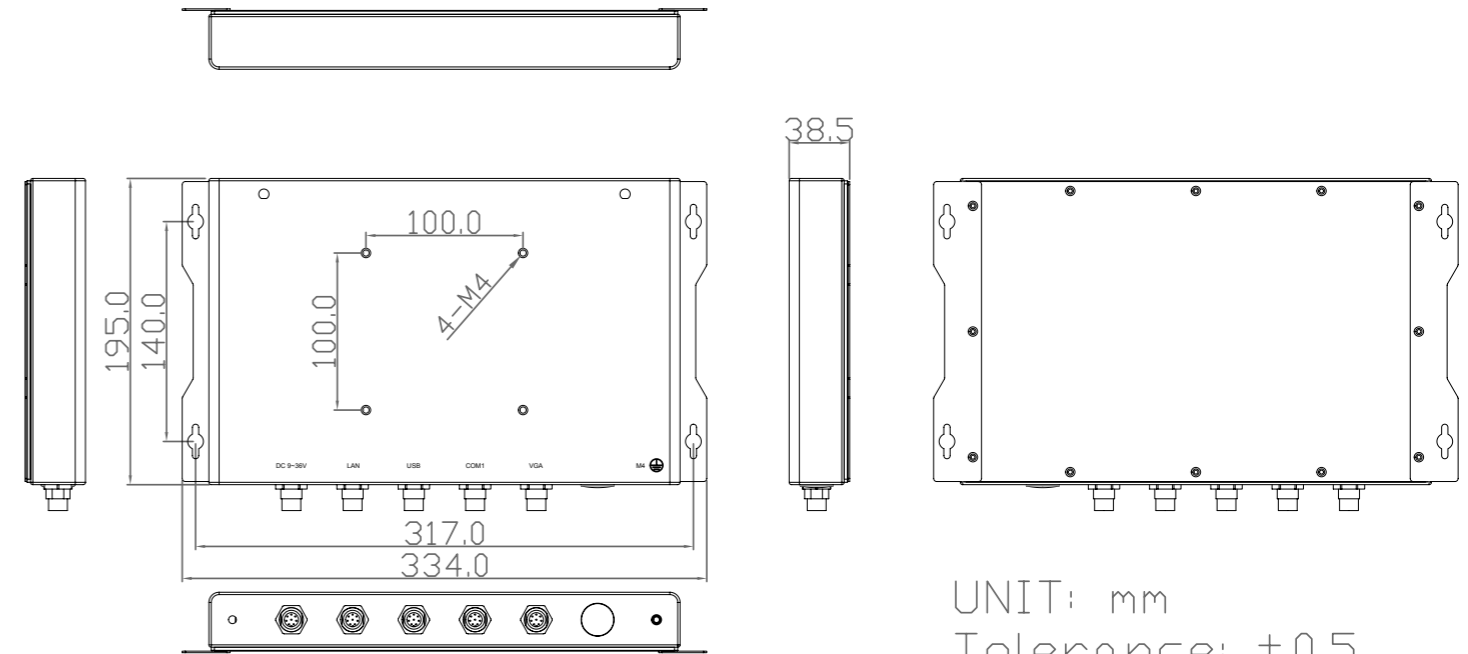


Features

- Intel Celeron Processor N2930
- SUS316 Stainless Steel
- Total IP66 Grade with M12 Waterproof Connector
- Variety of IO applications
- WLAN for Option
- Wide range DC 9~36V Power Input
- Support Panel Mount & VESA Mount
- Fanless Design
- ATEX Zone2, IECEx and C1D2 Certified



Dimensions



UNIT: mm
Tolerance: ±0.5

Specifications

System	
CPU	Intel Celeron Processor N2930
System Chipset	SoC
Memory	4GB DDR3L on board, 8GB for Option
IO Port	
Standard	1 x M12 8pin for LAN with Metal Waterproof CAP 1 x M12 8pin for COM1/RS-232/422/485 (Default RS-232) with Metal Waterproof CAP 1 x M12 8pin for 2 x USB 2.0 with Metal Waterproof CAP 1 x M16 3pin for DC Power with Metal Waterproof CAP 1 x M12 12pin for VGA with Metal Waterproof CAP
Optional	1 x optional blank M12 connectors with waterproof cap for selecting one from the following options: (1) 1 x M12 8pin for 1 x USB 3.0 (2) 1 x M12 8pin for 1 x RS-232 (3) 1 x M12 8pin for 2x USB2.0
Storage Space	
Storage	1 x 2.5" SATA HDD or SSD space 1 x Internal SD Card slot on board
Expansion	
Expansion Slot	1 x Mini PCIe Full size slot (For option WLAN/BT module)
Power	
Power Input	DC 9~36V
Power Consumption	MAX: 15.9W
Mechanical	
Construction	316 Stainless Steel Chassis
Mounting	VESA Mount 100 x100 / Wall Mount
IP Rating	Total IP66 6 sides
Dimensions	334 x 195 x 38.5mm
Net Weight	4 kg
Environmental	
Operating Temperature	-20~ 60°C
Storage Temperature	-30~ 70°C
Storage Humidity	10 to 90%@ 40°C, non-condensing
Certificate	Meet CE / FCC Class A ATEX / IECEx / C1D2 Zone 2

Operating System Support

- Windows 7 Embedded Standard
- Windows Embedded Standard 7
- Windows® Embedded 8.1 Pro
- Windows® Embedded 8.1 Industry Pro
- Windows 10 IOT Enterprise LTSC 2016