



DATA SOUND - LABORATORIES -

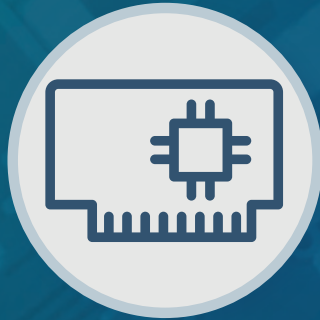
.....
EMBEDDING THE FUTURE



**Electronic
Design**



**Panel
PC / HMI**



**Single Board
Computer**



**Industrial
PC**

Why choose DSL?

- Over 30 Years Industry Experience
- 5 Years Warranty on all Products
- Evaluation Products Available
- Lifetime Technical Support

Our Services

- Electronic Design
- Production Management
- Assembly and Test
- Bespoke BIOS Creation
- Industrial Embedded PC Solutions



Call us on +44(0)1462 675530



Email us at sales@dsl-ltd.co.uk



www.dsl-ltd.co.uk

Features

- SUS 316 Stainless Steel
- Total IP66 Grade with M12 Waterproof Connector
- Wide range DC 9~36V Power Input
- Support Panel Mount & VESA Mount
- Support Projected Capacitive Touch
- Full Flat Bezel and Fanless Design
- Stainless Steel OSD Function Key
- ATEX/IECEX Zone2, Zone22 and C1D2/C2D2/C3 Certified

Specifications

External I/O	
USB	1 x M12 8-pin for 2 x USB 2.0 for Touch Control with waterproof cover and chain
Graph	1 x M12 12-pin for VGA with waterproof cover and chain
Function Keypad	1 x M12 8-pin for OSD Cable & External OSD BOX with waterproof cover and chain
Power	1 x M12 3-pin for DC power connector with waterproof cover and chain

Display	Standard	High Brightness Optional
Display Type	15" TFT-LCD	15" TFT-LCD
Max. Resolution	1024 x 768	1024 x 768
Max. Color	16.7M / 262K	16.2M / 262K
Luminance (cd/m ²)	450	1000
View Angle	160(H) / 150(V)	160(H) / 150(V)
Contrast	800:1	800:1
Backlight Lifetime	70,000 hrs	50,000 hrs

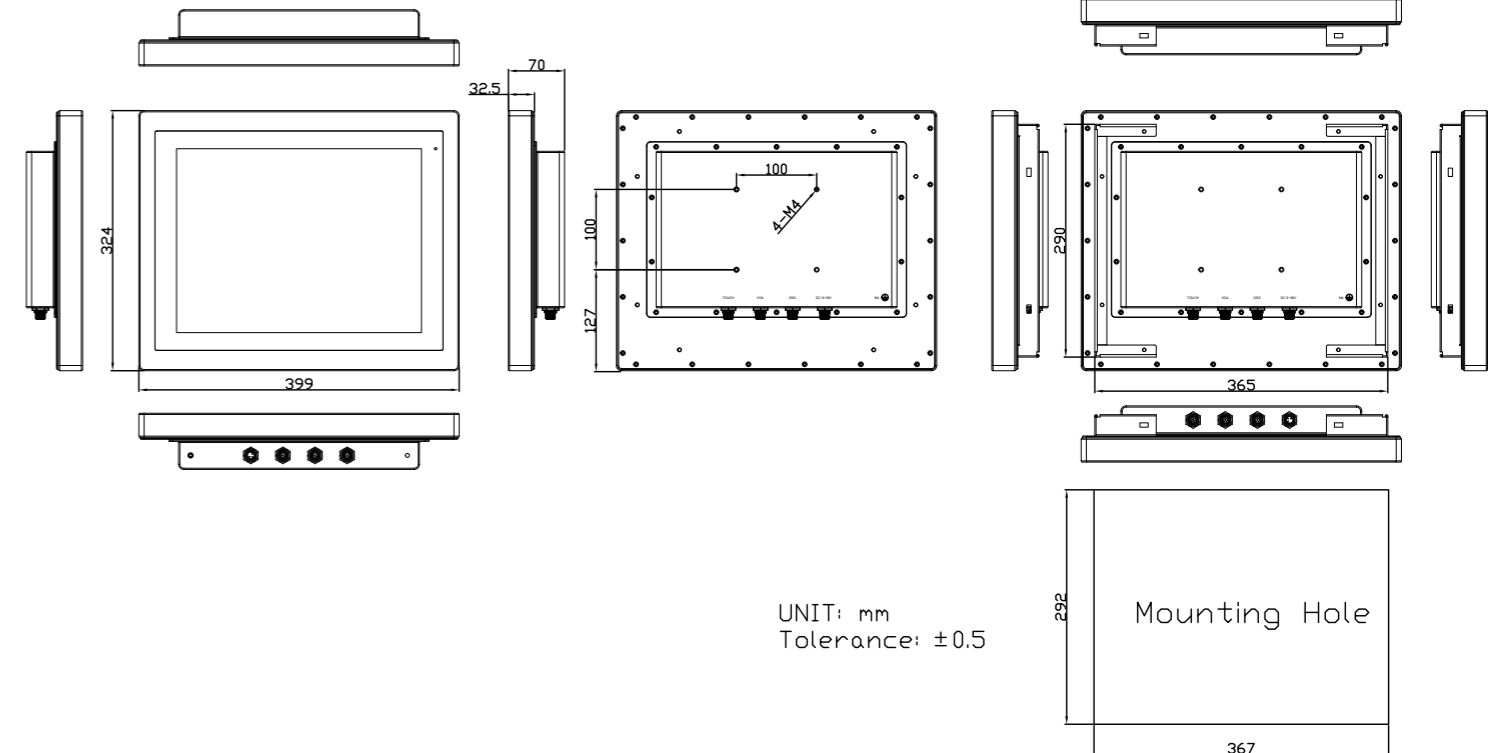
Touch Screen	
Type	Projected Capacitive Touch
Interface	USB
Light Transmission(%)	90%

Power	
Power Input	DC 9~36V
Power Consumption	AEx-115P: 17W

Mechanical	
Construction	316 stainless steel chassis
Mounting	VESA mount 100 x 100, Panel mount (option)
IP Rating	Total IP66
Dimensions	399 x 324 x 70 mm
Net Weight	8.5 kg

Environmental	
Operating Temperature	-20~60°C
Storage Temperature	-30~70°C
Humidity	10 to 95% @ 40°C, non-condensing
Safety	CSA C22.2 No.61010
Certificate	CE / FCC Class A ATEX / IECEX Zone2 Ex ec ic IIC T4 Gc ATEX / IECEX Zone22 Ex tc IIIC T135°C Dc Class I, Division2, Group A,B,C,D,T4 Class II, Division2, Group F,G, T135°C Class III ANSI/ISA 12.12-01-2013 CSA Std., C22 No213-1987

Dimensions



Ordering Information

AEX-115P	15" XGA IP66, 316 Stainless display, VGA input, external OSD box, Projected capacitive touch, 9~36V DC Power input, VESA Mount, WT-20~60 Accessory : 1 x M12 for USB touch cable, 1 x VGA Cable, 1 x 3pin power input cable (w/o Adapter)
AEX-115PH	15" XGA HB1000nits, 316 Stainless display, VGA input, external OSD box, Projected capacitive touch, 9~36V DC Power input, VESA Mount, WT-20~60 Accessory : 1 x M12 for USB touch cable, 1 x VGA Cable, 1 x 3pin power input cable (w/o Adapter)